

SERIES F3060-JIS 5K

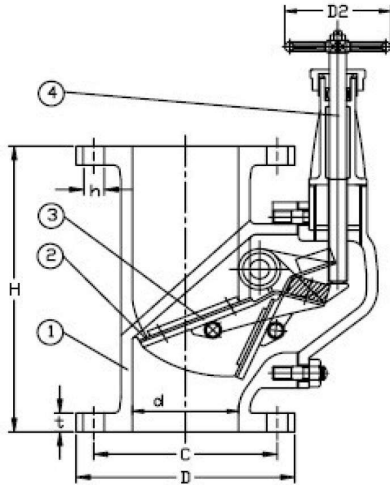
SERIES F3060R-JIS 5K

Cast Steel Vertical Storm Valve

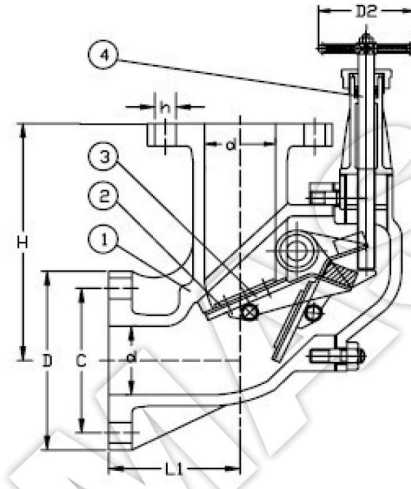
Cast Steel Angle Storm Valve

Manufactured in accordance to JIS F7400

Flanges as per JIS B2220-5K



Series F3060



Series F3060R

Part Nr.	Material	Code
1- Body	Cast Steel	SC49(SC480)
2- Seat	Rubber	NBR
3- Disc	Bronze	CAC406(BC6)
4- Stem	Stainless Steel	SUS403

Nominal Diameter	Test Pressure MPa[kgf/cm ²]
50-200	0.5Mpa [5.1kgf/cm ²]

Type	Size	H	D	C	NO	h	t	L1	D2	Weight(kg)
F3060 5K Vertical	50	210	130	105	4	15	15	-	100	11.5
	65	240	155	130	4	15	15	-	100	16.5
	80	260	180	145	4	19	15	-	125	21.6
	100	280	200	165	8	19	17	-	125	29.6
	125	330	235	200	8	19	17	-	125	43.6
	150	360	265	230	8	19	19	-	125	51.6
	200	450	320	280	8	23	20	-	125	80.1
F3060R 5K Angle	50	170	130	105	4	15	15	90	100	13.9
	65	200	155	130	4	15	15	110	100	20.1
	80	220	180	145	4	19	15	120	125	24.1
	100	250	200	165	8	19	17	130	125	35.2
	125	270	235	200	8	19	17	150	125	52.7
	150	310	265	230	8	19	19	165	125	63.2
	200	400	320	280	8	23	20	190	125	83.7