

SERIES F7311-JIS 5K

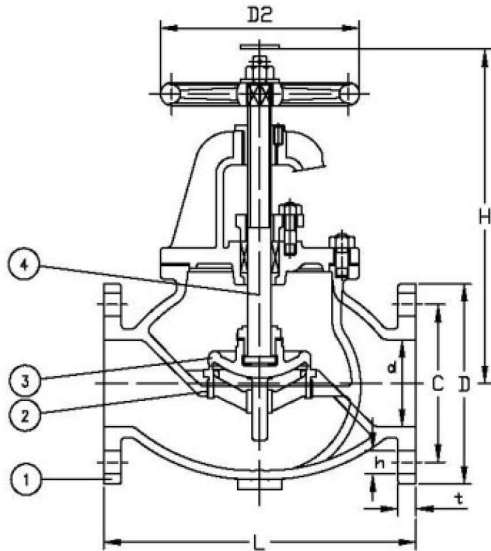
Cast Steel Globe Valve

SERIES F7311C-JIS 5K

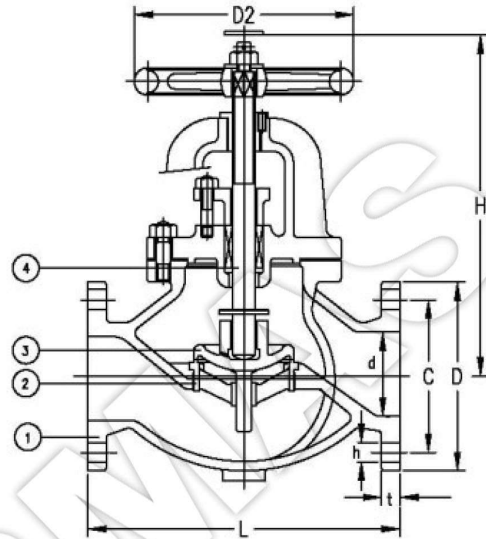
Cast Steel Globe Valve (SDNR)

Manufactured in accordance to JIS F7400

Flanges as per JIS B2220-5K



Series F7311



Series F7311C-SDNR

Part Nr.	Material	Code
1- Body	Cast Iron	SC49(SC480)
2- Seat	SUS/Bronze	SCS2/CAC406
3- Disc	SUS/Bronze	SCS2/CAC406
4- Stem	SUS/Brass	SUS403/C3771BD

Nominal Diameter	Test Pressure MPa[kgf/cm ²]	
	Body	Seat
300 or less	1.03[10.5]	0.76[7.7]
350 and 400	0.88[9]	0.65[6.6]

Size	L	D	C	NO	h	t	H	D2	Weight[kg]	
									F7311	F7311C
50	210	130	105	4	15	16	270	160	14.7	14.8
65	250	155	130	4	15	18	300	180	21.3	21.3
80	280	180	145	4	19	18	310	180	27.7	27.6
100	340	200	165	8	19	20	360	224	40.8	40.4
125	410	235	200	8	19	20	390	250	57.6	57.9
150	480	265	230	8	19	22	445	280	80.3	80.9
200	570	320	280	8	23	24	530	315	139	139
250	740	385	345	12	23	26	650	355	230	243
300	840	430	390	12	23	28	740	400	309	320
350	940	480	435	12	25	30	840	500	462	463
400	1050	540	495	16	25	30	940	630	647	643