

SERIES F7312-JIS 5K

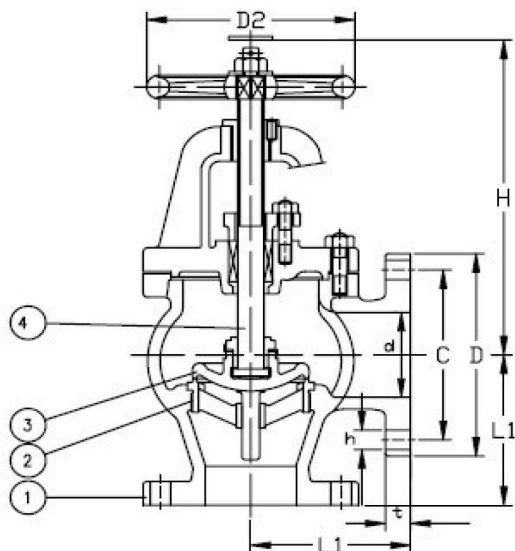
Cast Steel Angle Valve

SERIES F7312C-JIS 5K

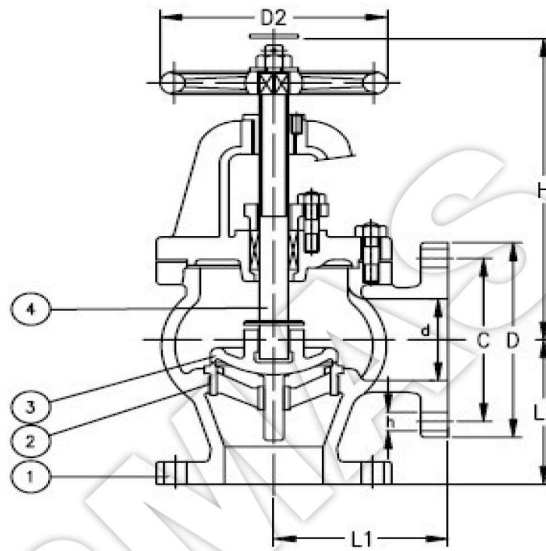
Cast Steel Angle Valve (SDNR)

Manufactured in accordance to JIS F7400

Flanges as per JIS B2220-5K



Series F7312



Series F7312C-SDNR

Part Nr.	Material	Code
1- Body	Cast Iron	SC49(SC480)
2- Seat	SUS/Bronze	SCS2/BC6
3- Disc	SUS/Bronze	SCS2/BC6
4- Stem	SUS/Brass	SUS403/C3771BD

Nominal Diameter	Test Pressure MPa[kgf/cm ²]	
	Body	Seat
300 or less	1.03[10.5]	0.76[7.7]
350 and 400	0.88[9]	0.65[6.6]

Size	L/L1	D	C	NO	h	t	H	D2	Weight[kg]	
									F7312	F7312C
50	100	130	105	4	15	16	240	160	12.9	12.9
65	115	155	130	4	15	18	255	180	18.2	18.2
80	130	180	145	4	19	18	265	180	23.4	23.3
100	150	200	165	8	19	20	310	224	33.7	33.5
125	170	235	200	8	19	20	330	250	46.2	46.5
150	190	265	230	8	19	22	380	280	63.4	64
200	220	320	280	8	23	24	450	315	105	104
250	275	385	345	12	23	26	540	355	178	175
300	310	430	390	12	23	28	610	400	275	243
350	360	480	435	12	25	30	840	500	415	393
400	395	540	495	16	25	30	940	610	578	565