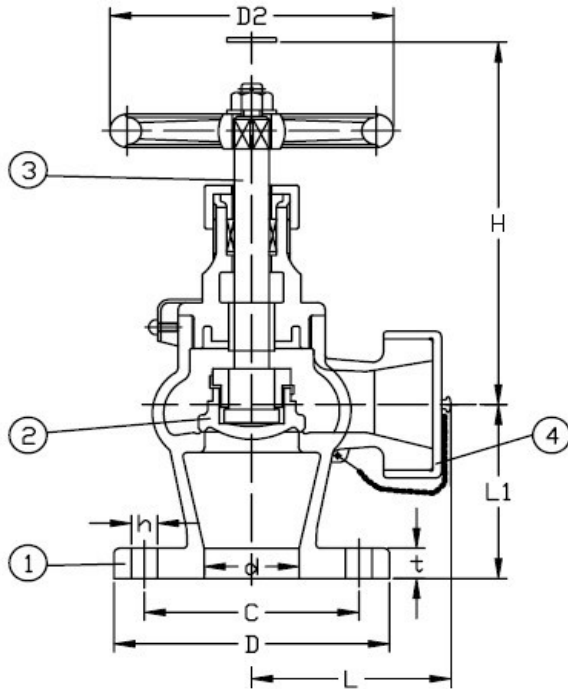


SERIES F7334B-JIS 5K&10K

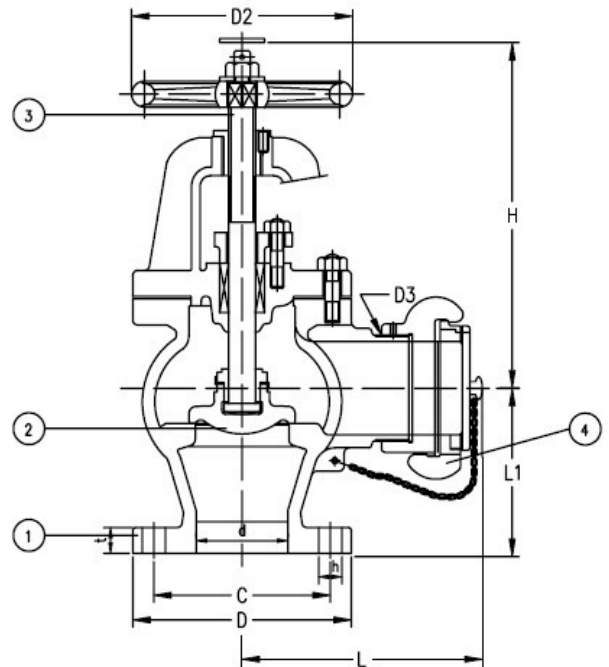
Bronze Hose Angle Valve

Manufactured in accordance to JIS F7400

Flanges as per JIS B2220-5K&10K



Screwed Bonnet 15A-40A



Bolted Bonnet 50A-65A

Part Nr.	Material	Code
1- Body	Bronze	CAC406
2 - Disc	Bronze	CAC406
3 - Stem	Brass	C3771BD
4 - Coupling	Brass	C3771BD

Nominal Pressure		5K	10K
Hydraulic	Body	12kg	24kg
Inspection	Seat	8kg	12kg

Type	Size	L	L1	D	C	NO.	h	t	H	D2	KG
F7334B 5K	15	68	55	80	60	4	12	9	120	80	2.41
	25	78	65	95	75	4	12	10	145	125	3.44
	40	124	85	120	95	4	15	12	165	140	5.91
	50	155	100	130	105	4	15	14	255	160	11.00
	65	175	115	155	130	4	15	14	295	200	16.70
F7334B 10K	15	73	70	95	70	4	15	12	120	80	2.72
	25	83	85	125	90	4	19	14	145	125	4.04
	40	124	100	140	105	4	19	16	165	140	8.19
	50	160	120	155	120	4	19	16	270	160	14.30
	65	180	130	175	140	4	19	19	295	200	23.00