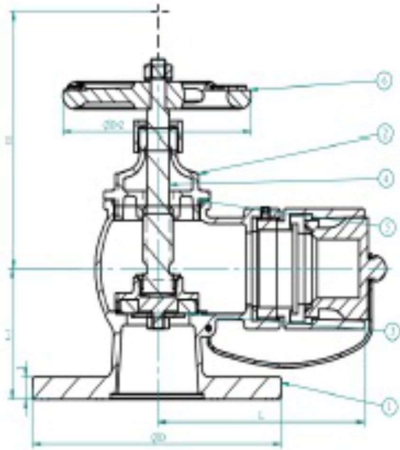


**JIS MARINE VALVE  
BRONZE VALVE NAKAJIMA COUPLING**

Hose valve



Technical Feature	
Design Standard	JIS F7427-1996
Test Standard	JIS F7400-1996
Flange Standard	JIS B2220-5K
Application	Used for marine pipelines of Fresh Water, air or gas, Fuel Oil, Lub.oil, and Steam at 205°C or below

Material List		
Part Nr.	Material	
1- Body	Bronze or Brass	CAC406 or C3771BD
2- Bonnet	Brass	C3771BD
3- Packing	Brass	NBR
4- Stem	Brass	C3771BD
5- Disc	Brass	C3771BD
6- Handwheel	Brass	FC200

Test Pressure MPa			
TYPE	DN	body	seat
5KG	40-65	1.05	0.77
10KG	40-65	2.1	1.54

Dimension Table- JIS 5K									
Size	DN	L	D	C	NO	h	t	H	D2
1-1/2"	40	112	120	95	4	15	16	118	80
2"	50	139	130	105	4	15	16	142	125
2-1/2"	65	162	155	130	4	15	18	164	140

Dimension Table- JIS 10K									
Size	DN	L	D	C	NO	h	t	H	D2
1-1/2"	40	112	140	105	4	19	16	118	80
2"	50	139	155	120	4	19	16	142	125
2-1/2"	65	162	175	140	4	19	18	164	140