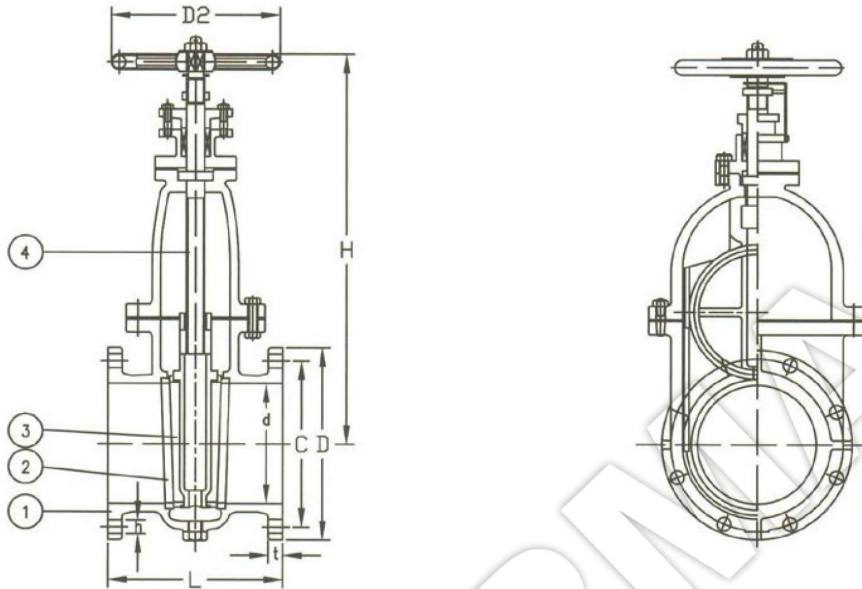


SERIES F7364-JIS 10K

Cast Iron Gate Valve

Manufactured in accordance to JIS F7400

Flanges as per JIS B2220-10K



SERIES F7364

Part Nr.	Material	Code
1- Body	Cast Iron	FC200
2- Seat	SUS/Bronze	SCS2/BC6
3- Disc	SUS/Bronze	SCS2/BC6
4- Stem	SUS/Brass	SUS403/C3771BD

Nominal Diameter	Test Pressure MPa[kgf/cm ²]	
	Body	Seat
50-250	1.03[10.5]	0.76[7.7]

Size	L	D	C	No	h	H	t	D2	KG
50	200	155	120	4	19	300	20	140	19.4
65	220	175	140	4	19	350	22	160	27.6
80	230	185	150	8	19	400	22	180	33
100	250	210	175	8	19	450	24	200	45.8
125	270	250	210	8	23	520	24	224	65.9
150	290	280	240	8	23	580	26	250	86
200	320	330	290	12	23	700	26	315	136
250	380	400	355	12	25	840	30	400	230
300	440	445	400	16	25	960	32	450	331
350	500	490	445	16	25	1050	34	500	433